



DISC MOWERS

**REAR, FRONT,
DOUBLE-SIDED AND COMBINATIONS**

www.samasz.com.au





Over 35 years of experience

The fodder made of grass is one of the best and at the same time the cheapest nourishment for livestock. By using the proper equipment it is possible to reach the swath, which can be easily processed to very nutritious fodder for cows.

SaMASZ agricultural machines are the guarantee of reaching the most valuable fodder from the mowed area. The solutions used in our machines have been developed by SaMASZ engineers for more than 35 years. For a long time they have been one of the most desired equipment, sought all over the world, because owing to them the fodder will suffice for longer time. It happens, because we have developed the whole technological process of harvest in the slightest detail.



TABLE OF CONTENTS

- PerfectCUT cutterbar
- KDT disc mowers
- KDTC disc mowers
- XT disc mowers
- KDF front disc mowers
- KDD disc mowers

PERFECT OPERATION

cutterbar

PerfectCUT

PerfectCUT cutterbar :

KDT, KDTC, KT, KDC, TORO, KDF, KDD, KDD-R, and combinations MegCUT and GigaCUT

Basing on the experience of our customers around the world we have introduced to our production the Perfect CUT cutterbar. Precise cut, high durability of components, protection against sudden disc stoppage in case of coming onto an obstacle, quick and easy disc module replacement owing to modernized upper hub are the main advantages of Perfect CUT cutterbars.



Replacable inserts

- additional cutterbar protection

Hardened discs

- improved shape of the disc increases its thickness and enables perfect material flow
- high resistance to wear
- easy replacement



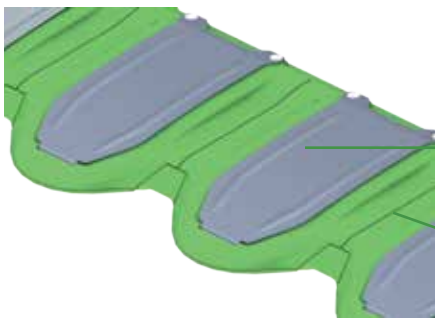
Topping plates (option)

- increases cutting height - 2, 2,5 or 3 cm
- bolted to the sliding skid
- easy replacement



Hardened, slide wearing pads

- additional slide protection
- exchangeable with topping skids
- easy to mount



Modernized, hardened slides

- reduce work resistance force
- shape and form enhance lower fodder contamination
- underside protection of the cutterbar

Stepless regulation of cutting height (from 3 cm / 1 1/4" to 7 cm / 2 3/4")

- setting the machine to standard cutting height from 4,5 cm / 1 3/4" (from 2° to 0°) enables ideal adjustment of the mower to working conditions (optionally topping skids and double topping skids enable cutting height up to 12 cm / 5")

- proper adjustment of cutting height (min. 6 cm recommended) has a great influence on the quality of cut hay and on the condition, height and the rate of growth of next crops:

- leaving longer stems of 7 cm / 2 3/4" decreases the risk of fodder contamination by other machines (tedder, rake, baler) thanks to longer distance from the ground

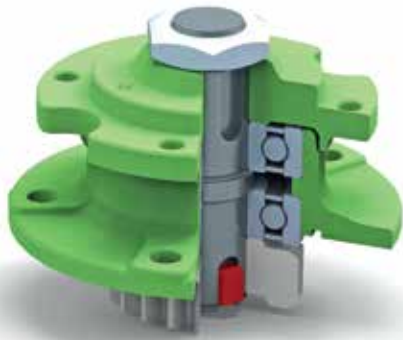
- too low cut grass (lower than 5 cm / 2") weakens the crop and decreases the rate of re-growth. Next crops have less volume and have lower nutritional value

$\alpha 0^\circ - h 6,8 \text{ cm}$

$\alpha 3^\circ - h 5,3 \text{ cm}$

$\alpha 5^\circ - h 4,4 \text{ cm}$





Disc module with **safeGEAR** system

- additional protection for gears inside the cutterbar
- strong, double - sealed bearings
- quick and easy module replacement even in the field
- reusable after key replacement

Design

- lightweight, durable, bolted
- thick, 5 mm / 13/64" steel shell

Hardened discs

- improved shape of the disc increases its thickness and enables perfect material flow
- high resistance to wear
- easy replacement

360°

System

- protection system
- sheared key safety feature as standard



Gears - 18 mm thickness

- precisely ground and fitted enable ideal drive transmission and silent work
- protected by **safeGEAR** system
- set on closed 2RS bearings

Hardened knife holder pins

- modernized shape of the pin increases knife stability
- longer resistance to wear thanks to Geomet® coat
- separate, replaceable element of the cutting disc



Central knife holder

- improved shape of the holder enables thorough cleaning of the cutterbar
- made of high quality hardened steel
- 360° range of rotation
- quick and easy replacement

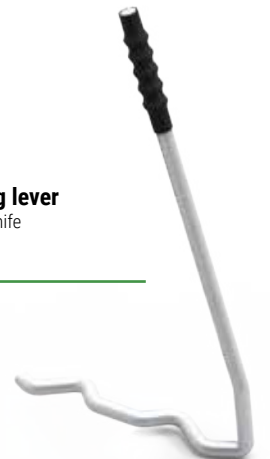


Knife mounting lever

- quick and easy knife replacement

Hardened knives (L=105 mm / 4 9/64")

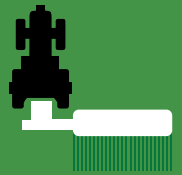
- SaMASZ logo proves the highest quality,
- quick knife replacement mounting with special lever at the back side and front of the cutterbar





Rear disc mowers KDT

KDT 260, KDT 300, KDT 340, KDT 341



KDT is the most frequently purchased range from SaMASZ offer. Since the beginning of their introduction to the market, KDT mowers have been used by thousands of customers around the world. Made of best quality materials are a reasonable choice even for the most demanding customers.

Mechanical safety breakaway device (with hardened inserts)

In case of hitting an immovable obstacle the breakaway device is pulled out of its housing and the mower folds back giving time to stop working and evade the obstacle. The force, at which, the device will operate is regulated by means of a coil spring. Breakaway device is set by the manufacturer and ensures proper and faultless work.

Support mechanism when taking turns on headlands.

Owing to this system an operator does not have to pay attention to the height to which he lifts the machine. It also saves times, crucial during forage pick-up.

Swath guides as standard equipment

Owing to this system an operator does not have to pay attention to the height to which he lifts the machine. It also saves time, crucial during forage pick-up.

Transport and operation

Lighter and stronger suspension as well as hydraulics facilitate manoeuvring and transport.

Switching from working to transport position by means of hydraulic cylinder.

For the time of transport, there are following safety features:

- Mechanical lock
- Hydraulic cylinder shutoff valve





Precise cut

PerfectCUT

- **V-belts – the drive is transmitted through V-belts, which also function slip as clutch.**
- **New gearbox – 60% stronger and 200% more durable transmits the drive from V-belts to cutterbar.**
- **Replaceable, protective sliding skids, made of hard-wearing steel.**

Support springs

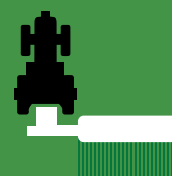
Enhanced coil springs unload ground pressure and reduce resistance during work.



	KDT 260	KDT 300	KDT 340	KDT 341*
Working width [m / ft]	2,60 / 8'7"	3,00 / 9'10"	3,40 / 11'2"	3,40 / 11'2"
Transport width / height [m / ft]	2,15 / 3,40 7'1"/11'2"	2,15 / 3,75 7'1"/12'3"	2,20 / 4,20 7'2"/13'8"	2,20 / 4,20 7'2"/13'8"
Swath width [m / ft]	1,20 - 1,80 / 3'11" - 5'11"	1,30 - 1,90 / 4'4" - 6'3"	1,40 - 2,00 / 4'7" - 6'7"	2,30 - 2,80 / 7'7" - 9'2"
Necessary hydraulic couplers	1 x single acting			
Working capacity [ha/h / ac/h]	~ 3,00 / 7,40	~ 3,50 / 8,70	~ 4,00 / 10,00	~ 4,00 / 10,00
Number of discs [pcs.] / Number of knives [pcs.]	6 / 12	7 / 14	8 / 16	8 / 16
RPM	540			
3-point hitch cat.	II			
Power demand [HP]	from 70	from 80	from 90	from 90
Weight [kg / lbs]	725 / 1600	785 / 1730	825 / 1820	825 / 1820
PTO shaft	tractor - mower: with overrunning clutch			
Single rubber swath guide [pcs.]	1	-	-	2
Double rubber swath guide [pcs.]	1	2	2	-



Unique quality of forage



Advantages of swath conditioners:

- Several times faster grass drying owing to breaking wax layer on a leaf blade
- Cutting wax layer through, facilitates „grass breathing”, which reduces losses in plants nutrition value, and increases swath density
- Elimination of tedding (fewer drives)
- Free presentation of material in wide swath, as well as reducing and balancing its density enables easy pick up for baler or self-collecting trailer
- Increased space between tine shaft and conditioner’s hood to improve material throughput at extremely high harvest
- Swath width adjustment by swath guides



Integrated gearbox

KT 261 S and KT 301 S mowers have been equipped with integrated gearbox, which apart from the cutterbar also drives the conditioner. Providing two speed rates: 700 and 1000 rpm.

Tine conditioner with new V-claw tine:

- swing mounting allows for the tine to move back when it comes across an obstacle
- increases durability of the bolts owing to limited range of tine’s movement
- special shape of the tine prevents the hit against the shaft
- lowers the power demand thanks to better flow of the material

Tines

Enhanced V-shaped tines are made of hard-wearing steel. Properly balanced tine weight and helical arrangement on the tine shaft provide their effective operation in the heaviest crops. There is a fixed and pivot tine mounting option.

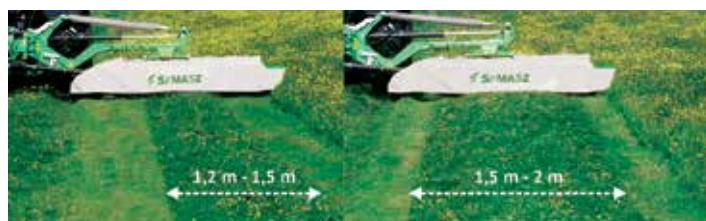


V-claw tine:

- increased conditioning intensity thanks to tine’s angle
- better effect of forage reversing
- long diameter of conditioner’s shaft enables easy operation even with high density of material
- ideal aeration of the material with a guarantee of evenly formed swath

Swath width adjustment in conditioner mowers

Obtaining narrow swath is possible owing to application of additional drums or by swath guides (Fig. 1). Wide swath provides faster and more balanced grass drying process (Fig. 2).





Tine and roller conditioners

PerfectCUT

Advantages of roller conditioners

- Wide rollers along the cutterbar increase efficiency of crushing stems of caney crops
- Rubbing wax from stem's layer and at the same time pressing them out increase drying process
- An inclination of upper roller towards the cutterbar enables better forage pick-up
- Chevron-profiled conditioner rollers interlock to crimp, rub and crush the crop at great intensity
- The rollers are driven by:
 - upper roller – heavy duty bevel belt
 - lower roller – double chain
- Upper roller is suspended on two rockers with clearance regulation by means of springs. It is easy to adapt the roller clearance and pressure to the current crop yield and variety. This solution enables conditioning of large forage crops and their even breaking throughout the whole roller's width. Clearance between the rollers enables stone transport up to 6 cm (2 1/3") diameter

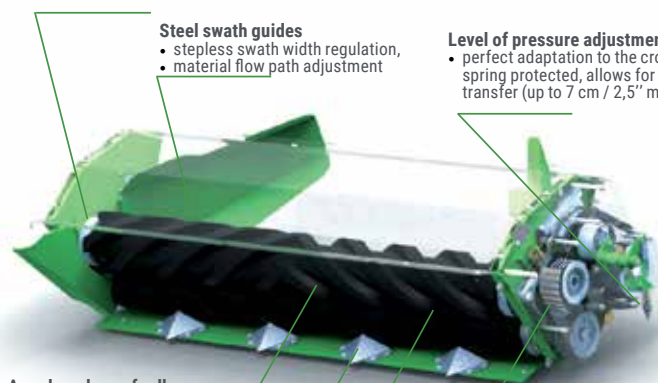
Mechanism that adapts the rollers to the amount of material.

Steel swath guides

- stepless swath width regulation,
- material flow path adjustment

Level of pressure adjustment

- perfect adaptation to the crop yield
- spring protected, allows for obstacle transfer (up to 7 cm / 2,5" max. Ø 6)



Angular edges of rollers

- more accurate operation and faster drying of the green forage,
- time savings.

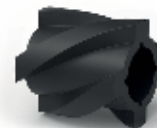
Metal inserts

Roller's shape

- chevron profiled,
- interlock, handling the material with ease
- supports breaking the wax layer from the leaf blade

Toothed belt drive

- easy and fast replacement,
- small power loss.



Roller section



Steel on steel roller conditioners

Same great advantages as Rubber Rollers. The Steel on Steel Rollers work even better on strong crops like Sorgham & Canola. The Rollers have a diameter of 215mm.

Replacement of the cutting blades

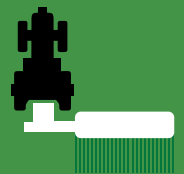
With the special wrench supplied as standard, the cutting knives can be replaced quickly.





Rear disc mowers KDTC

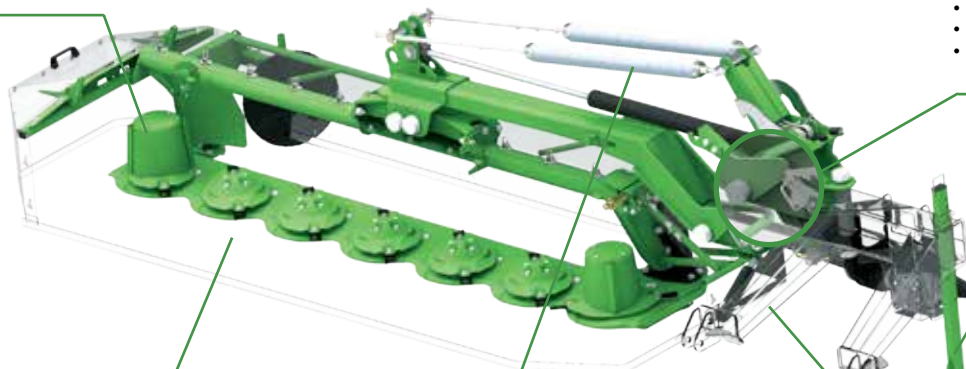
KDTC 301, KDTC 341



KDTC mowers have been the first disc mowers with central suspension in our offer. They have been manufactured since 2008 and have gone through modernization in order to be up to the present market demands. Developed and thought-through design is an economic alternative to KT mowers. Unlike KT

mowers, KDTC mowers have no possibility of applying hydropneumatic suspension. They feature a single transport position (KT has 3 positions).

PerfectCUT Cutterbar



Safety guard

- lifted for easier maintenance
- safety curtain - protects against stones
- resistant to weather conditions

Support springs

- adjustable work unit support - high level of ground following

Patented latch

- unique mechanical solution
- reliable and easy in operation
- three modes:
 - transport, work, parking

Intersecting axis gear

- drive transmission through PTO shafts,
- low-noise operation

Hydraulic safety breakaway device

- protection of mower against damage
- if obstacle is hit the unit is retracted by 24° and at the same time lifted by approx. 50 cm / 1'8"

Hydraulic safety breakaway device

KDTC mowers have the same hydraulic safety breakaway device as double-sided mowers. It protects the mower against hitting immovable obstacles. In the event of hitting an immovable obstacle the cutterbar folds back about 30° and at the same time rises about 50 cm (20"). Afterwards, the cutterbar automatically comes back to its working position.



Positions: transport and rest

Putting the mower into transport and rest positions by means of hydraulic cylinder and patented latch mechanism.





Exceptional ground following

KDTC 301 S, KDTC 301 W

PerfectCUT

Advantages of KDTC mowers:

- PerfectCUT cutterbar
- Mechanical latch mechanism, as a support when taking turns on headlands
- Regulated, drop speed of the cutting unit
- Regulated swath guides
- Central suspension enables even ground pressure and perfect ground following
- Wide range of inclination (up to 24 degrees) enables operation on uneven or steep terrain



Drive

The drive from gearbox to cutterbar's gearbox is transmitted through PTO shaft with friction clutch, which protects the cutterbar against damage.



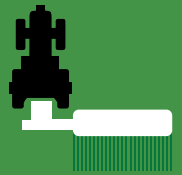
	KDTC 301	KDTC 341		KDTC 301 S*	KDTC 301 W*
Working width [m / ft]	3,00 / 9'10"	3,40 / 11'2"		3,00 / 9'10"	3,00 / 9'10"
Transport width / height [m / ft]	2,00 / 3,80 6'7" / 12'8"	2,00 / 4,20 6'7" / 13'8"		2,00 / 3,80 6'7" / 12'8"	2,00 / 3,80 6'7" / 12'8"
Swath width [m / ft]	1,20 - 1,60 / 3'11" - 5'3"	1,20 - 2,00 / 3'11" - 6'7"		1,40 - 1,70 / 4'7" - 5'7"	1,40 - 1,70 / 4'7" - 5'7"
Necessary hydraulic couplers			1 x single acting		
Working capacity [ha/h / ac/h]	~ 3,50 / ~ 8,70	~ 4,00 / ~ 10,00		~ 3,50 / ~ 8,70	~ 3,50 / ~ 8,70
Number of discs [pcs.] / Number of knives [pcs.]	7 / 14	8 / 16		7 / 14	7 / 14
RPM	540 (1000 - option)			1000	
3-point hitch cat.			II		
Power demand [HP]	from 80	from 90		from 90	from 90
Weight [kg / lbs]	1020 / 2250	1120 / 2470		1255 / 2765	1270 / 2800
PTO shaft	tractor - mower: with overrunning clutch + friction, built-in: no clutch				
Single rubber swath guide [pcs.]	2	2		Metal swath guides in conditioners	

* S - tine conditioner W - roller conditioner



Rear disc mowers XT

XT 390



The new SaMASZ XT 390 disc mower - you'll cut more, better, and more comfortably! The modern design of the XT 390 completely changes the quality of work and convenience of transport. This

mower, similarly to other SaMASZ models, does not damage the turf, and minimises the level of dirt, so the harvested feed is of the highest purity.

Safety guard

- lifted for easier maintenance
- safety curtain - protects against stones
- resistant to weather conditions
- lifted side guard decreases transport height

PerfectCUT Cutterbar

*more on p. 12-13

125° inclined transport position

- decreases transport height to 3,97 m with 3,90 m working width
- increased stability during transport thanks to balanced centre of gravity
- improved visibility in side mirrors

Unique safety breakaway device:

- hydraulic breakaway device integrated with the hitch and body of the machine
- the inclination of cutterbar on the first disc is higher than 50 cm and is lifted min. 30 cm (the highest range on the market)
- automatic return of the cutterbar to working position

Machine setting indicator:

- helps to adjust the height of the hitch
- easily visible from tractor's cabin

Warning plates with LED lights in standard equipment

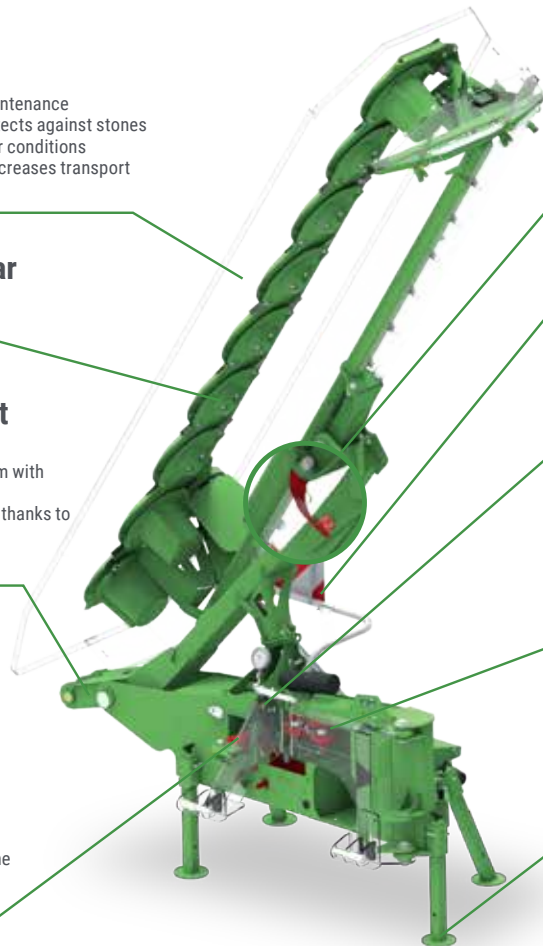
KENNFIX hydraulic connector

Hydropneumatic suspension:

- innovative hydropneumatic lightening system
- integrated with hydraulic safety breakaway device and lifting cylinder
- operated by steering panel directly from tractor's cabin

Support legs:

- 4 standard support legs enable parking of the machine in transport position
- saves space considerably





Precise cut

PerfectCUT

Transport

Another strong point of the XT 390 is its transportability in an inclined position, ensuring safer driving and easier manoeuvrability on both public roads and narrow dirt roads. A great advantage of this machine is its height, which does not exceed 4 m, so, according to the traffic law, it does not require any additional markings or permits. In addition, the XT 390 in the standard version allows the machine to be parked in a stable transport position on four feet.



Central suspension

The main advantage of central suspension is its even weight distribution, perfect ground following, and large tilting range (up to 24°), which makes it easy to use on uneven terrain, and allows optimum driving in all conditions.

Hydro-pneumatic suspension

Thanks to its hydro-pneumatic suspension, the operator can use the tractor's hydraulics to quickly adjust the pressure of the cutting bar on the ground, so that, regardless of the terrain, the pressure on the ground is always the same. A large and easily visible pressure gauge informs the operator of the pressure in the hydro-pneumatic system. Another advantage is the possibility to adjust the pressure without leaving the tractor cab, thereby adjusting the load to the conditions.



		XT 390
TECHNICAL DETAILS	Working width [m / ft]	3,90 / 13'
	Transport width / height [m / ft]	2,60/3,98 / 8'7"/13'2"
	Swath width [m]	2,40 - 2,65 / 7'11" - 8'8"
	Necessary hydraulic couplers	1 x double acting
	Working capacity [ha / h]	~ 4,50 / ~11
	Number of discs [pcs.] / Number of knives [pcs.]	9 / 18
	RPM	1000
	3-point hitch cat.	II / III
	Power demand [HP]	from 100
	Weight [kg / lbs]	1 290 / 2 844
	PTO shaft	tractor - mower: with overrunning clutch + friction; built-in: no clutch
	Single rubber swath guide [pcs.]	1



Front disc mowers KDF

KDF 300, KDF 340,
KDF 301 S, KDF 301 W, KDF 341 S, KDF 341 W



KDF front disc mowers could be a perfect alternative for rear mowers due to good visibility during operation and transport. Extended frame and coil springs of long travel enable very good ground following and proper ground pressure. Can be successfully combined, with rear unit, making a very economic set.

Advantages and equipment of KDF mowers:

- Mounting triangle as a standard equipment
- PTO shaft with overrunning and friction clutch as a standard equipment
- Mechanical lock for safe transport
- Extended suspension frame and coil springs with long travel enable better ground following (+250 mm, - 150 mm)(+10", - 6") and proper ground pressure adjustment
- Hydraulic cylinders as a standard equipment – facilitate lifting to transport position
- Cutting height indicator as a standard equipment
- PTO safety guard protects the shaft against dirt and fast wear
- Flow divider enables balanced drop and lift of the cutterbar with the use of only one single-acting coupler
- Quick and easy adaptation into clockwise rotation of the front PTO
- Good visibility during operation and transport



KDF 301S



Tine or roller conditioner

Easy to equip with either tine conditioner or rollers.

	KDF 300	KDF 340	KDF 301 S	KDF 301 W	KDF 341 S	KDF 341 W
Working width [m / ft]	3,00 / 9'10"	3,40 / 11'2"	3,00 / 9'10"		3,40 / 11'2"	
Transport width [m / ft]	3,00 / 9'10"	3,40 / 11'2"	3,00 / 9'10"		3,40 / 11'2"	
Swath width [m / ft]	~ 1,30 - 1,50 / ~ 4'3" - 4'11"	~ 1,40 - 1,80 / 4'7" - 5'11"	~ 1,20 - 2,00 / ~ 3'11" - 6'7"	~ 1,10 - 1,70 / ~ 3'7" - 5'7"	~ 1,40 - 2,40 / ~ 4'7" - 7'11"	~ 1,30 - 2,10 / ~ 4'3" - 6'11"
Necessary hydraulic couplers	1 x single acting					
Working capacity [ha/h / ac/h]	~ 3,50 / 8,70	~ 4,00 / 10,00	~ 3,50 / 8,70		~ 4,00 / 10,00	
Number of discs [pcs.] / Number of knives [pcs.]	7 / 14	8 / 16	7 / 14		8 / 16	
RPM	1000					
3-point hitch cat.	II					
Power demand [HP]	from 80	from 90	from 100		from 110	
Weight [kg / lbs]	940 / 2075	1020 / 2250	1260 / 2775	1360 / 3000	1340 / 2955	1475 / 3250

TECHNICAL DETAILS

MegaCUT



Lots of possibilities to collect the crop

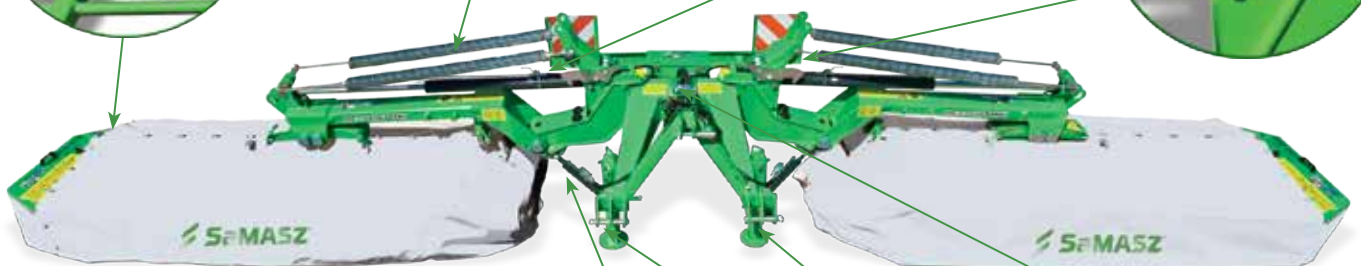


Adjustable safety guards

Support springs

Hydraulic cylinder

Mechanical lock



Hydraulic safety breakaway device

Central suspension unit is integrated with hydraulic safety breakaway device, which protects the mower against hitting immovable obstacles. In the event of hitting an immovable obstacle the cutterbar folds back and at the same time rises about 50 cm (1'8"). The cutterbar automatically comes back to its working position once the obstacle is passed.



Electronic control panel

Control panel is installed in operators cabin, which allows convenient control over position of rear mowers on headlands and during transport.



Transport position

Lowered pivot point allowed for transport height reduction, (less than 4 m / 13'), what ensures safe and comfortable operation on public roads.



MegaCUT



MegaCUT set

KDD 861, KDD 941



MegaCUT is a set of mowers for demanding farmers, who value their time and money. Working efficiency from 10 ha/h and low power demand prove, the combination can be operated even on middle-sized farms with tractor's power starting from 150 HP. It is an excellent alternative to expensive self-propel-

led mowers. MegaCUT set is a perfect solution for large farms. Thanks to their high productivity and working width, cutting of large areas does not take a great deal of time.

Own hydraulic unit

- for conveyor drive
- for relieving tractor's hydraulics

Safety guard

- lifted for easier maintenance
- safety curtain - protects against stones
- resistant to weather conditions
- lifted side guard decreases transport height

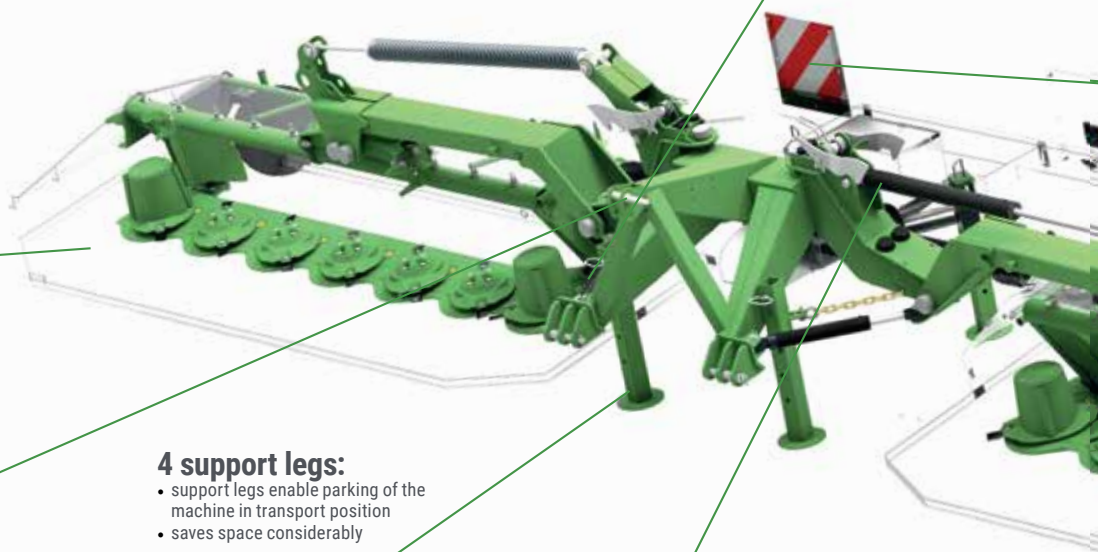
KENNFIX hydraulic connector

4 support legs:

- support legs enable parking of the machine in transport position
- saves space considerably

Ground pressure relief system

- adjustable work unit support - high level of ground following,
- spring-type as standard,
- hydropneumatic type (option)





GUINNESS WORLD RECORD
96.2 ha / 237 acres of mowed grass
in 8 hours - MegaCUT 941

Combination for demanding farmers

PerfectCUT

Central suspension

- work unit located in the center of gravity - even support across the whole cutterbar width,
- perfect ground following enabling work on uneven ground.

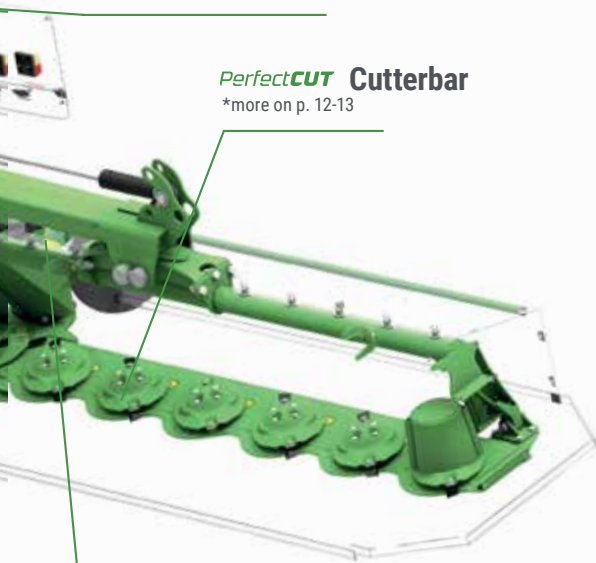
PTO shaft with friction clutch

- Drive from the central gearbox to the cutterbars is transmitted through PTO shafts with overrunning friction clutch, which secure cutterbars from damage.

Warning plates with rear road lights (standard)

PerfectCUT Cutterbar

*more on p. 12-13



Close-up sensor

- Enables locking the cutterbar at a certain height, when turning on headlands. Operator does not have to control lifting height of the cutterbars and the risk of PTO shaft damage is reduced.

Advantages and equipment of MegaCut set:

- PerfectCUT cutterbars with quick knife replacement system
- Protection against stones (quick disc module replacement in case of obstacle collision)
- Central suspension
- Support springs reduce ground pressure and limit mowing disturbances
- Hydropneumatic suspension as an option
- Integrated gearbox (only with conditioner)
- Hydraulic safety breakaway device protects the mower against hitting immovable obstacles. In the event of hitting an immovable obstacle the cutterbar folds back and at the same time rises about 50 cm (20"). The cutterbar automatically comes back to its working position once the obstacle is passed.
- Adjustable swath guides
- Electronic control panel
- Lock mechanism for safe transport
- 3-point hitch Cat. II and III

	KDD 861	KDD 941
Working width [m / ft]*	8,60 / 28'2"	9,40 / 30'10"
Transport width / height [m / ft]	3,00 / 3,80 // 9'8" / 12'8"	3,00 / 4,00 // 9'8" / 13'1"
Swath width [m / ft]	2 x 1,90 - 2,30 / 2 x 6'3" - 7'7"	2 x 2,30 - 2,70 / 2 x 7'7" - 8'10"
Necessary hydraulic couplers	3 x single acting (stering panel 1 x single acting)	
Working capacity [ha / h // / ac/h]*	~ 10,00 / 25,00	~ 11,00 / 27,00
Number of discs [pcs.] Number of knives [pcs.]	14 / 28	16 / 32
RPM	1000	
3-point hitch cat.	III	
Power demand [HP]*	from 130	from 140
Weight [kg / lbs] Weight with „H" [kg]	2125 / 4685 2100 / 4630	2290 / 5050 2190 / 4830
PTO shaft	tractor - mower: no clutch, built-in: with overrunning friction clutch	

TECHNICAL DETAILS

* Combined with a front mower



GigaCUT

GigaCUT set

KDD 861 S, KDD 861 W, KDD 941 S, KDD 941 W



Economy of mowing together with high efficiency is the best description of GigaCUT sets. They have been designed to work on large farms in the toughest conditions possible. GigaCUT combination consists of double-sided mower KDD 861 S/W or 941 S/W and front mower KDF300 S/W or KDF 340 S/W + belt conveyors. Owing to tine or roller conditioner, use of tedder and rake is no longer necessary besides that is a perfect alternative to self-propelled mowers.

Safety guard

- lifted for easier maintenance
- safety curtain - protects against stones
- resistant to weather conditions
- lifted side guard decreases transport height

Ground pressure relief system

- adjustable work unit support - high level of ground following,
- spring-type as standard,
- hydropneumatic type (option)

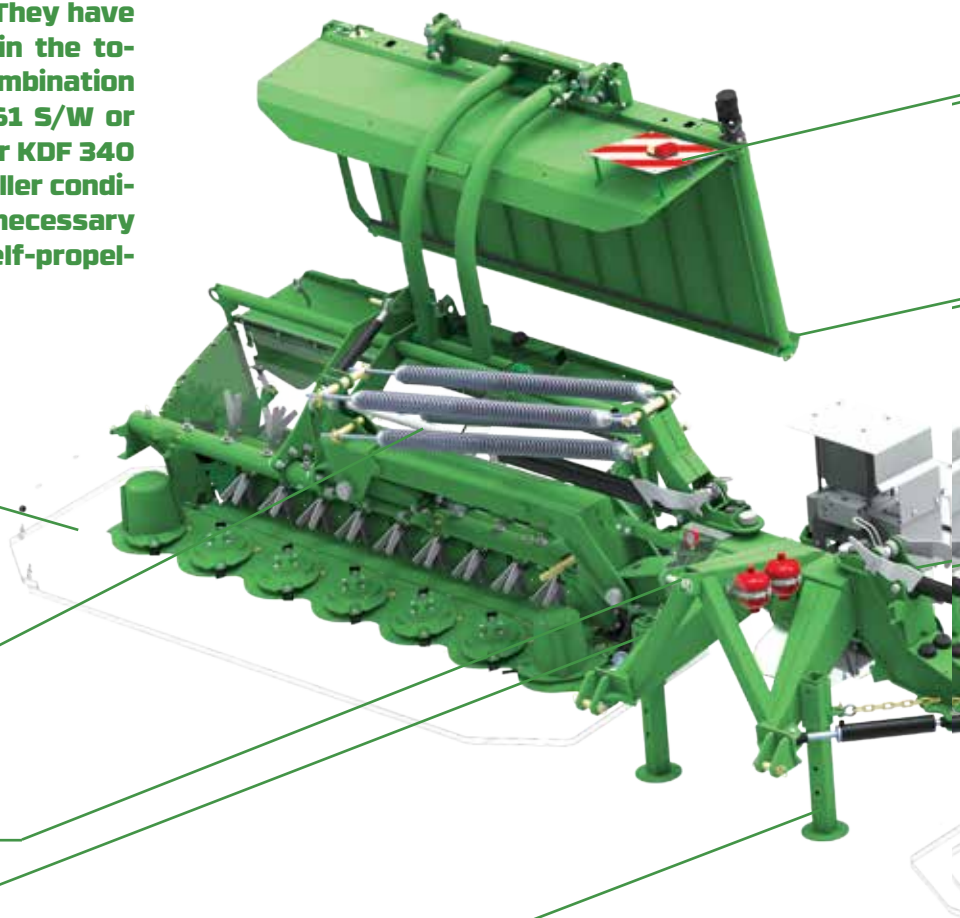
KENNFIX hydraulic connector

4 support legs:

- support legs enable parking of the machine in transport position
- saves space considerably

Hydraulic safety breakaway device

- protection of mower against damage
- if obstacle is hit the unit is retracted by 24° and at the same time lifted by approx. 50 cm / 1' 8"





Huge combination

PerfectCUT

Warning plates

with rear road lights (standard)

Belt conveyor

- less drives
- speed adjustment
- no need of tedding and raking

Central suspension

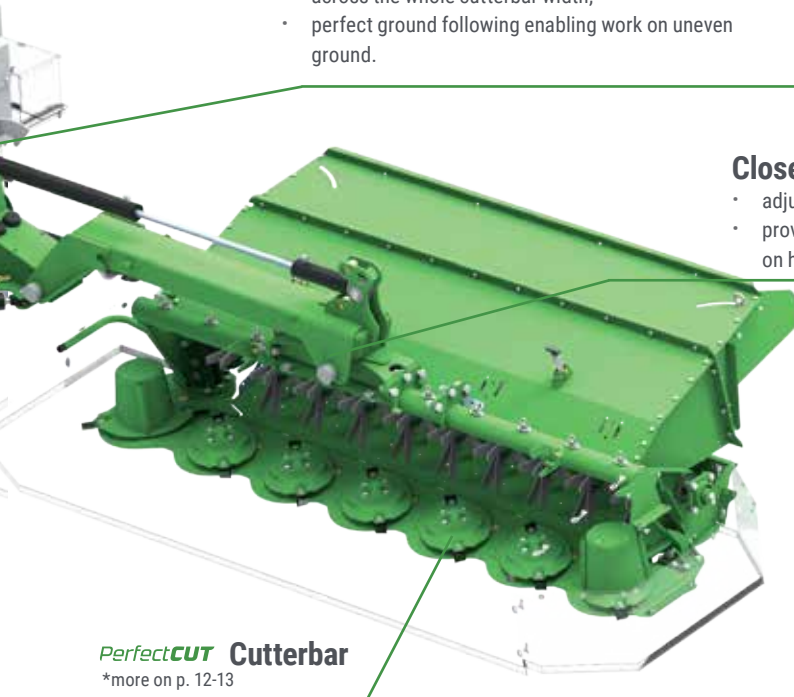
- work unit located in the center of gravity - even support across the whole cutterbar width,
- perfect ground following enabling work on uneven ground.

Advantages and equipment of GigaCut set :

- PerfectCUT cutterbar with quick knife replacement system
- Protection against stones (quick disc module replacement in case of obstacle collision)
- Central suspension
- 4 support springs reduce ground pressure and limit mowing disturbances
- Hydropneumatic suspension as an option
- Integrated gearbox
- Hydraulic safety breakaway device protects the mower against hitting immovable obstacles. In the event of hitting an immovable obstacle the cutterbar folds back and at the same time rises about 50 cm (20"). The cutterbar automatically comes back to its working position once the obstacle is passed
- Adjustable swath guides
- Electronic control panel
- Latch mechanism for safety during transport
- Own hydraulic and cooling system

Close-up sensors

- adjustable
- provides easier working on headlands



PerfectCUT Cutterbar

*more on p. 12-13

GigaCUT set can be equipped with tine or roller conditioner. Additionally, belt conveyors can be mounted, owing to which raking is eliminated and therefore the forage harvester needs three times less runs to pick up the crop.



GigaCUT

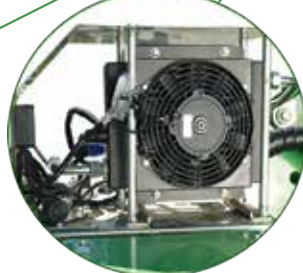
Lots of possibilities to collect the crop

KDD 861 S, KDD 861 W, KDD 941 S, KDD 941 W



PTO shaft with friction clutch

Drive from the central gearbox to the cutterbars is transmitted through PTO shafts with overrunning friction clutch, which secure cutterbars from damage.



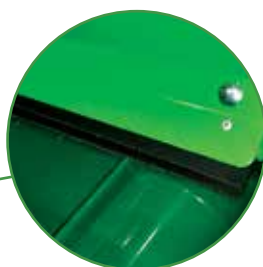
Hydraulic unit

The mower has its own hydraulic unit : oil pump, oil container, radiator with a fan and regulated end valve for belt conveyors speed adjustment.



Oil level and temperature indicator

Integrated level and temperature indicator placed on oil tank.



Belt conveyor

Strong beams suspend the belt conveyor for ultimate stability when operating in heavy crops, uneven fields and on the slope. They swing the unit up and out of the way when the mower is producing single or wide windrows. Single-acting cylinder raises the belt conveyor as a reversing valve shuts it off and back on when the unit goes down, back into work.



High efficiency

*Perfect***CUT**



Belt conveyors drive

Belt conveyors are driven by their own hydraulic unit (hydraulic pump, radiator and two hydromotors). Turning the conveyors on is done on electronic control panel mounted in tractor's cabin. Mergers work independently with variable speed rates.

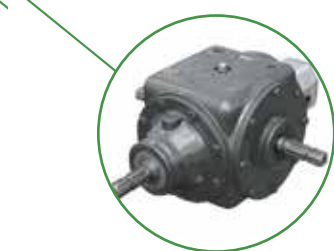


Belt conveyor's cleaning mechanism

Belt conveyor is equipped with roller cleaning mechanism, owing to which the dirt can be easily removed without necessity to take off the belt. In order to reduce dirt gathering and protect the belt a new type of cleaning brushes was applied.

Electronic control panel

Control panel is installed in operator's cabin, which allows for convenient control over position of rear mowers on headlands and during transport. It allows for belt conveyor speed adjustment.



Main gearbox - 184 kW



GigaCUT



The art of cutting



Manufacturer's advice

Belt conveyor speed can be adjusted via electronic control panel (see p. 30) Ranging from 0 ÷ max. Maximum windrow width of 2,8 m (9' 1/5") may be reached when cutting low and medium grass. When cutting heavy grass, conveyor speed has to be increased due to the weight of the material. This automatically narrows windrow presentation. There is a possibility to move the conveyors

left or right along the mowers frame +- 200 mm (7 3/4"). However, an operation with the conveyors moved to an extreme point may cause unbalancing of the set. In that case of having 3,5 m (11 2/5") wide swath SaMASZ can manufacture shorter conveyors.

	KDD 861 S	KDD 861 W	KDD 941 S	KDD 941 W
Working width [m / ft]	8,60 / 28'2"	8,60 / 28'2"	9,40 / 30'10"	9,40 / 30'10"
Transport width / height [m / ft]	3,00 / 3,80 9'8" / 12'8"	3,00 / 3,80 9'8" / 12'8"	3,00 / 3,95 9'8" / 13'	3,00 / 3,95 9'8" / 13'
Swath width [m / ft]	2 x 1,90 - 2,30 2 x 6'3" - 7'7"	2 x 1,40 - 2,00 2 x 4'7" - 6'7"	2 x 2,30 - 2,70 2 x 7'7" - 8'1"	2 x 1,80 - 2,30 2 x 5'11" - 7'7"
Necessary hydraulic couplers	3 x single acting (with panel 1 x single acting)			
Working capacity [ha/h / ac/h]	~ 10,00 / 25,00		~ 11,00 / 27,00	
Number of discs [pcs.] Number of knives [pcs.]	14 / 28		16 / 32	
RPM	1000			
3-point hitch cat.	III			
Power demand [HP]	from 160	from 160	from 180	from 180
Weight [kg / lbs]	2920 / 6440	3080 / 6790	3120 / 6880	3010 / 6635
Weight with „H“ [kg]	2785 / 6140	2940 / 6480	3020 / 6660	2875 / 6340
PTO shaft	tractor - mower: no clutch, built-in: with overrunning friction clutch			

S - tine conditioner W - roller conditioner



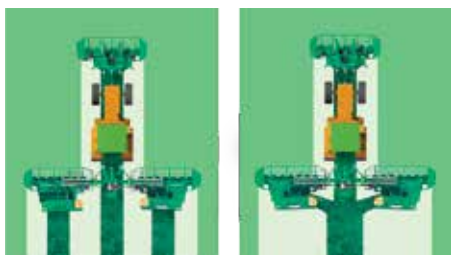
PerfectCUT

Transport width

In this position permitted transport width of 3 m is not exceeded.

Adjustment of cutting units

Overlapping of front and rear mowers is factory set for 375 mm (14 3/5"). MegaCUT set always presents three windrows.



	KDD 861 ST	KDD 861 WT	KDD 941 ST	KDD 941 WT
Working width [m / ft]**	8,60 / 28'2"	8,60 / 28'2"	9,40 / 30'10"	9,40 / 30'10"
Transport width / height [m / ft]	3,00 / 3,80 // 9'8" / 12'8"	3,00 / 3,80 // 9'8" / 12'8"	3,00 / 3,95 // 9'8" / 13'	3,00 / 3,95 // 9'8" / 13'
Swath width [m / ft]	2 x 1,90 - 2,30 / 2 x 6'3" - 7'7"	2 x 1,40 - 2,00 / 2 x 4'7" - 6'7"	2 x 2,30 - 2,70 / 2 x 7'7" - 8'1"	2 x 1,80 - 2,30 / 2 x 5'11" - 7'7"
Necessary hydraulic couplers	3 x single acting (with panel 1 x single acting)			
Working capacity [ha/h / ac/h]**	~ 10,00 / 25,00		~ 11,00 / 27,00	
Number of discs [pcs.] Number of knives [pcs.]	14 / 28		16 / 32	
RPM	1000			
3-point hitch cat.	III			
Power demand [HP]	from 160	from 160	from 180	from 180
Weight [kg / lbs]	3791 / 8360	3951 / 8710	4057 / 8945	3947 / 8700
Weight with „H“ [kg / lbs]	3656 / 8060	3811 / 8400	3957 / 8725	3812 / 8405
PTO shaft	tractor - mower: no clutch, built-in: with overrunning friction clutch			

S - tine conditioner W - roller conditioner T - transporter

IMPORTED BY:



COLAC AG

FARM MACHINERY IMPORTERS

colacag.com.au

400 Princes Hwy, Colac West, Vic,
Australia 3249

+61 (0)3 5231 6999

Your dealer:

True passion and constant seeking of the best solutions are amongst the ideas, which have been essential for the SaMASZ employees and have become the key to the company's success.

What contributes the most to constant and dynamic development of the company are close contact with our customers and staying open to their needs. Thanks to dialogue with our present and future clients and trying to meet their expectations we create and strengthen up the basis of our dynamic success. We are creating the brand, which is already well recognized not only in the whole Europe, but also in the world.

Considering constant development as our top priority, we invest in product research. Our employees are the most talented Technical University graduates, who are not only experts in their own fields, but also bring in a great dose of professionalism and passion to their duties. You can always count on their competence and reliability.

Today, SaMASZ is the top Polish and one of the major European manufacturers of forage machinery. Our offer includes more than 300 types of different machines: drum mowers, disc mowers, tedders, rakes, flail mowers, extension arms or snow plows. Since the beginning we managed to manufacture and sell more than 110 000 mowers and few thousands of other machines. We export to more than 50 countries around the world. Our sales network includes approx. 60 companies in Poland and approx. 70 abroad.

Our main goal, which is constant development and implementation to our production cutting edge technology in order to keep the world's top quality. We are fully aware, that in this ever changing reality, customers tend to seek trading partners who are trustworthy, and therefore we have an ambition of being considered as a reliable and professional manufacturer.



Technical data and equipment provided herein, as well as images of the products may be different due to constant technical development.